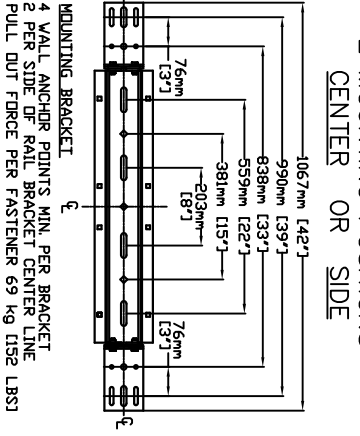
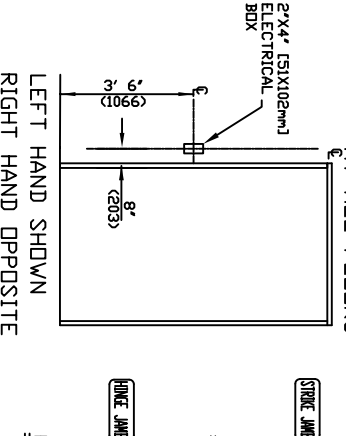


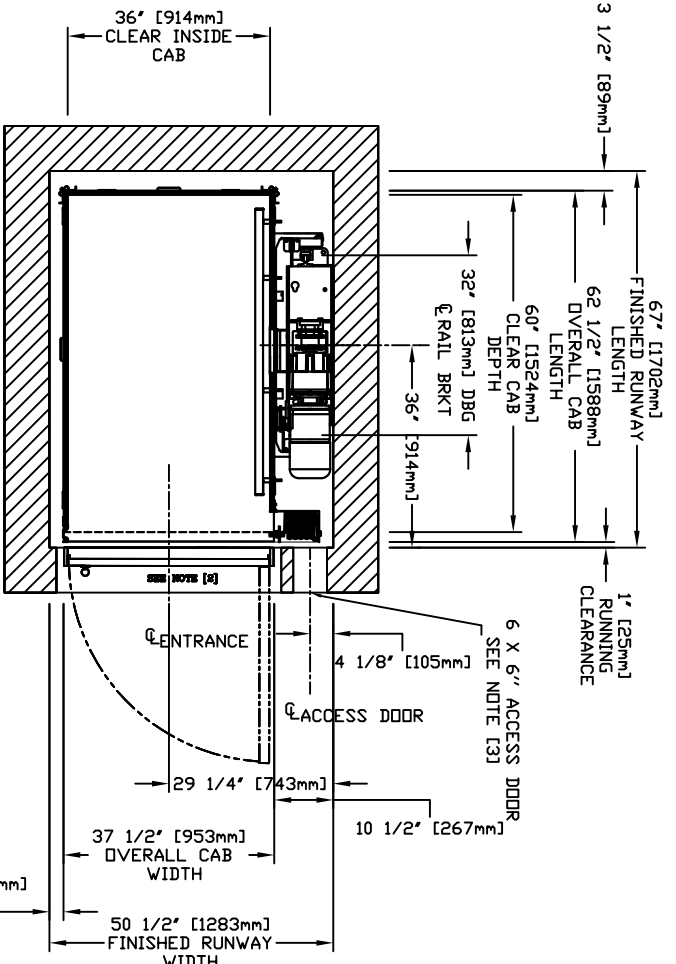
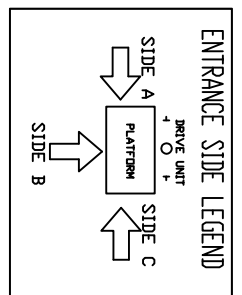
FINAL RAIL BRACKET RB3	BELOW THE MOTOR CONCORD REPRESENTATIVE LOCATION
INTERMEDIATE RAIL BRACKET RB2	32" [813mm] INTERVALS AFTER 2nd BOTTOM BRACKET
BOTTOM RAIL BRACKET RB1	44" [1118mm] & 71" [1804mm] ABOVE PIT



4 WALL ANCHOR POINTS MIN PER BRACKET
2 PER SIDE OF RAIL BRACKET CENTER LINE
PULL OUT FORCE PER FASTENER 69 Kg (152 LBS)



RAIL FORCES	
* R1	* R2
1382 LB (621 kg)	882 LB (400 kg)
1304 LB (591 kg)	1194 LB (541 kg)
RAIL ASSY: 0.81 lbs / ft	24.5 lbs / ft
PIT FORCE: R3	
LOAD (INCLUDES IMPACT)	
2909 Kg	
6400 (1653)	



CHARACTERISTICS

GENERAL

APPLIED CODE: _____ CONCORD
 MOTOR 2.0 HP/1660 RPM w/Broke
 GEAR MODEL 42:17:1 Ratio Gear Box
 CAPACITY: _____ (750, 1000 LBS)
 MOTOR CONTROLLER Pre-programmed V/F Drive
 NOMINAL SPEED: _____ 40 FPM
 SUSPENSION
 TYPE: _____ DUAL #60 ROLLER CHAIN
 CONSTRUCTION: _____ ANSI B29.1
 NOMINAL STRENGTH: _____ 9020 LBS PER CHAIN
 ELECTRICAL
 POWER SUPPLY: _____ 60 Hz/1 Phase/230 volt

DRIVE UNIT

CAR DETAILS
 CAB PANEL SELECTION: _____ (SEE CHART) POT LIGHT FINISH (4): _____ (SS, BRZ, BRSS)
 CEILING SELECTION: _____ (WITH/MATCH) TRIM COLOUR: _____ (CLR, BRZ)
 CAB FLOORING: _____ (PLY, FINISH) CAR STATION PLATE (W/P/D): _____ (CLR, BRZ, BRSS, SS)
 FINISHED FLOOR THICKNESS: _____ (1/8 TO 3/4") HAND RAIL TYPE: _____ (CLR, BRZ, BRSS, SS)
 CAB HEIGHT: _____ (80, 96") TELEPHONE BOX: _____ (CLR, BRZ, BRSS, SS)
 CAB OPERATION: _____ (AUTO) GATES REQUIRED: _____ (AUTO, MAN)
 GATE TYPE: _____ (V/FOLD, CFOLD, CAB SILL: _____ (SS)

LOCKS/CALL STATIONS/TRAVEL/DOORS (BY OTHERS)

TRAVEL	LANDING 1	LANDING 2	LANDING 3	LANDING 4	MIN OVERHEAD=96/114"
PIT:	SIDE C	SIDE C	DIH	HATCH: SIDE C	
ENTRANCE SIDE					
DOOR SWING					
LOCK TYPE					
AUTO DOOR OP:					

STANDARD OPTIONS PROVIDED:
 BUTTON MARKING: NUMERIC (1 to 4)
 HALL CALL KEYED: NO
 HALL CALL FINISH: MATCH CAR STATION
 HALL CALL SHAPE: RECTANGULAR
 PREWIRE PACKAGE: NO
 CONTROLLER LOCATION: EXTERNAL

*HOISTWAY CONSTRUCTION SITE CLEARANCE
 1- HOISTWAY CONSTRUCTION AND PIT BY OTHERS. DUE TO LIMITED SPACE WITHIN THE HOISTWAY IT IS ESSENTIAL THAT THE PIT IS LEVEL AND WALLS ARE SQUARE AND PLUMB THROUGHOUT THE HOISTWAY. THE HOISTWAY FRAMING MUST BE WITHIN 1/2" (12.7) OF PLUMB AND SQUARE FROM TOP TO BOTTOM FOR PROPER OPERATION OF THE ELEVATOR THROUGHOUT THE HOISTWAY.
 2- CLEARANCES FROM DOOR SILL TO HOISTWAY DOOR TO BE 76 mm (3") MAXIMUM AND ELEVATOR CAR DOOR TO HOISTWAY DOOR TO BE 127 mm (5") MAXIMUM TO COMPLY WITH CSA B44 (ASME/ANSI A17.1) CONSOLE YOUR LOCAL INSPECTION AUTHORITIES FOR CODES WHICH MAY TAKE PRECEDENCE.
 3- HOISTWAY MUST HAVE A MINIMUM 152 mm x 152 mm (6" x 6") LOCKABLE ACCESS HATCH PROVIDED BY SAVARIA CONCORD LOCATED AT THE TOP OF THE HOISTWAY. LOCATION MUST BE IN AN AREA WHICH WILL PROVIDE ACCESS TO THE ELEVATOR DRIVE ASSEMBLY BY THE MANUAL LOWERING HANDLE. MANUAL LOWERING HANDLE WILL ENABLE USER TO OVERPOWER BRAKE AND LOWER CAR WITHOUT BOBBLY ENTRY TO THE SHAFTHWAY.
 4- THE PIT FLOOR SHALL BE CONSTRUCTED TO WITHSTAND AN IMPACT LOAD OF 2903 KG (6400 LBS). REF. CSA B44 SECTION 2.11 (ASME/ANSI A17.1 SECTION 106.5)
 5- HOISTWAY TO BE FREE OF ALL PIPES, WIRING AND OBSTRUCTIONS NOT RELATED TO THE OPERATION OF THE ELEVATOR.
 6- HOISTWAY CONSTRUCTION REQUIREMENTS MAY VARY FROM REGION TO REGION. DIMENSIONS GIVEN ARE MANUFACTURERS RECOMMENDED CLEARANCES. THEY REFLECT RUNNING AND ACCESS CLEARANCES. CONSULT YOUR LOCAL AUTHORITY TO ASSURE COMPLIANCE WITH PROVINCE AND LOCAL CODES.

DIMENSIONS WARNING
 CONTRACTOR/CUSTOMER TO VERIFY ALL DIMENSIONS AND REPORT ANY DISCREPANCIES TO OUR OFFICE IMMEDIATELY.

*STRUCTURAL

7- A LOAD BEARING WALL IS REQUIRED TO SUSTAIN RAIL REACTIONS AS SPECIFIED IN KEY TO RAIL REACTIONS ON DRAWING. BUILDING CONTRACTOR TO CONTACT STRUCTURAL ENGINEER TO DETERMINE IF SUPPORTING WALL WILL SUSTAIN RAIL REACTIONS. FOR COMPLYING WITH LOCAL CODES.
 8- SUITABLE LINTELS MUST BE PROVIDED BY DWNER/AGENT.
 9- ALL FULL HEIGHT DOORS MUST BE ALIGNED WITH THE DOOR CENTERLINE SHOWN ON PLAN DETAIL. RECOMMEND INSTALLING A SOLID CORE 2032 mm (6'-8") HIGH DOOR WITH A MINIMUM CLEAR OPENING OF 813 mm (2'-8") WIDE.
 10- DOOR HANDLE AND LATCH SET REQUIRED FOR ALL FULL SIZE DOORS.
 11- SEE INSTALLATION MANUAL FOR DETAILS ON THE INTERLOCKS. INTERLOCKS ARE REQUIRED FOR ALL FULL SIZE DOORS.

*ELECTRICAL

12- THE ELEVATOR CONTROLLER IS PROVIDED BY SAVARIA CONCORD AND IS EITHER 16-71" DEEP. THE CONTROLLER IS PROVIDED BY SAVARIA CONCORD AND IS EITHER A. ATTACHED TO THE RAIL WALL INSIDE THE HOISTWAY BETWEEN THE 7" RAILS WITH ACCESS EITHER UNDER THE CAB OR THROUGH THE CAB OF THE ELEVATOR OR B. IN A REMOTE LOCATION EXTERNAL TO HOISTWAY, THAT NEEDS PROPER STRUCTURAL WALL TO SUPPORT THE CONTROLLER ON ALL 4 CORNERS HOLES POSITION ARE = 597 mm (23.5") WIDE BY 546 mm (21.5") HIGH.
 13- ARRANGE FOR A POWER SUPPLY WITHIN SIGHT OR NEXT TO THE ELEVATOR CONTROLLER PRIOR TO DELIVERY OF THE UNIT(BOTH 115 VOLT AND 208/240 VOLT). THE 208/240 VOLT CIRCUIT SHALL ORIGINATE FROM A LOCKABLE 2 POLE FUSED DISCONNECT (20 AMP RK 5 RATED) LOCATED NEAR THE RESIDENCES INCOMING ELECTRICAL PANEL. THE ELECTRICAL CIRCUIT PROVIDED FOR THE CONTROLLER SHALL BE 208/240 VOLT, SINGLE PHASE, DEICATED CIRCUIT WITH NEUTRAL AND GROUND. FUSING MUST BE SELECTIVELY COORDINATED. FUSE 208/240 VOLT FOR 20 AMP SERVICE. FUSE 115 VOLT FOR 15 AMP SERVICE FOR CAR LIGHT. A LOCKABLE AUXILIARY 240 VOLT AND 115 VOLT DISCONNECT IS REQUIRED INSIDE THE HOISTWAY OR IN SIGHT OF THE CONTROLLER. ALL ELECTRICAL TO DISCONNECTS SHALL BE PROVIDED AND INSTALLED BY OTHERS (MUST COMPLY WITH APPLICABLE CODES).
 14- FIELD ELECTRICAL WIRING AND CONNECTIONS TO HALL-CALLS, PIT SWITCH AND INTERLOCKS ARE PROVIDED.
 15- THE ILLUMINATION SHALL BE NOT LESS THAN 200 LX (9 FC) AT THE FLOOR LEVEL IN ALL MACHINE ROOMS AND MACHINERY SPACES. THE SWITCH FOR THE LIGHT MUST BE WITHIN 457 mm (18") OF THE HOISTWAY ACCESS. THE LIGHT MUST BE GUARDED, LIGHT, PREVENT ACCIDENTAL BREAKAGE OR CONTACT WITH THE HOT BULB. THE SWITCH, LIGHT, AND GUARD ARE PROVIDED AND INSTALLED BY OTHERS. (MUST COMPLY WITH APPLICABLE CODES).
 16- IF A TELEPHONE CIRCUIT IS REQUIRED (OPTION FOR ELEVATOR) JACK IS PROVIDED AND INSTALLED BY OTHERS. THIS CIRCUIT SHALL BE BROUGHT TO A LOCATION NEXT TO THE CONTROLLER AND BE AVAILABLE TO CONNECT AND TEST UPON ELEVATOR INSTALLATION.
 17- LOCATION / ACCESS- "CONTROLLER ROOM" LOCATED AT THE LOWEST LEVEL ADJACENT TO HOISTWAY, UNLESS SHOWN OTHERWISE ON THE LAYOUT DRAWINGS. FIELD ADJUSTMENT BY INSTALLER MAY BE NECESSARY TO MEET JOB SITE CONDITIONS OR REGULATIONS. ACCESS TO CONTROLLER ROOM TO BE THROUGH A SELF CLOSING LOCKABLE DOOR WHERE CODE CONSIDER IT AS A MACHINE ROOM.
 *WHEN APPLICABLE SLEEVES FOR ELECTRIC LINES-
 18. FROM CONTROLLER ROOM TO RUNWAY AS REQUIRED.
 *CODE
 19. ALTHOUGH THE ELEVATOR IS DESIGNED TO MEET CSA B44 (ANSI A17.1), LOCAL CODES MAY VARY. DEALER IS RESPONSIBLE FOR COMPLYING WITH LOCAL CODES.
 NOTE A
 ALL COMPONENTS WEIGHTS CAN BE FOUND IN THE PLANNING GUIDE
 NOTE B
 ALL INFORMATION IS SUBJECT TO CHANGE.
 PLEASE REFERENCE OUR ON-LINE DRAWINGS AT
 WWW.SAVARIACONCORD.COM FOR THE MOST RECENT UPDATES

RESIDENTIAL ELEVATOR

ECLIPSE MODEL 36X60 TYPE 1R

CUSTOMER:	DATE:
PROJECT:	REVISION DATE:
LOCATION:	COMPLETED BY:

SAVARIA CONCORD
 Your Accessibility Partners